

Small & Medium Hood Installation Instructions:

Assembly consists of cleaning the monitor, applying Velcros to the monitor, sizing the hood, securing the hood at size and then mounting the hood to the monitor.

1. **Please find enclosed:** One left and one right side of hood, 4 mini binder clips, one pre-moistened lens cloth, 10 Velcro pieces, two foam strips and one top front support bar. You may also need a pencil and scissors for installation. The tapered plastic edges are the front edges of the hood.
2. Using the lens cloth, **clean the outside surfaces** of your monitor / attachment area.
3. **Attach the light-blocking foam strips (Optional):** Adhere the $\frac{3}{4} \times \frac{1}{4}$ " foam strips along the top-front edge of your monitor. Cut the second foam strip to length, if necessary. Peel the paper to expose the adhesive, see tip below.

Note: For some monitors with a small attachment edge, such as flat panel LCDs, you may need to apply the foam strip after you attach the Velcro fasteners. You can cut the foam to fit between the Velcro attachment points. If you're not sure if you want the foam, it could be added afterward.

4. **Attach Velcro Sets:** Without separating the Velcro pieces, remove the backing that covers the adhesive on the loop (fuzzy) portions and place in 4 places equal distance along the top and 3 places along each side of the monitor. (rectangles in the drawing) **Do not remove** the adhesive covering for the hook Velcro side at this point.

Note: You can adjust the hood forward or back and tilt it slightly up or down to give it the look you want. The rear edge of the hood should be a minimum of 1 inch (the width of the Velcro) or more back from the front of the monitor for proper support (more is OK).

5. **Hood Size:** With the Velcro in place, you can now secure the hood to **size**. Place the hood halves on the monitor and align the front edges. Place **two mini clamps on front edge** of the hood, and two clamps on the **rear edge** of the hood temporarily securing the hood to the proper width.
6. **Placement idea:** To get an idea of correct placement on your monitor. **Note:** You can adjust the hood forward or back and tilt it slightly up or down to give it the look you want. The rear edge of the hood should be a minimum of 1 inch (the width of the Velcro) or more back from the front of the monitor for proper support (more is OK). Remove the hood from the monitor for next step.
7. **Install top front edge plastic slide:** The top front slide gives support and a finished look to the top front edge. For this step, place the hood on a flat surface with the front edges up. Open the sides so the hood stands by itself, top side towards you. Observing the photo, note the position of the slide along the top-front edge. Install the plastic slide along the top front edge and center it.

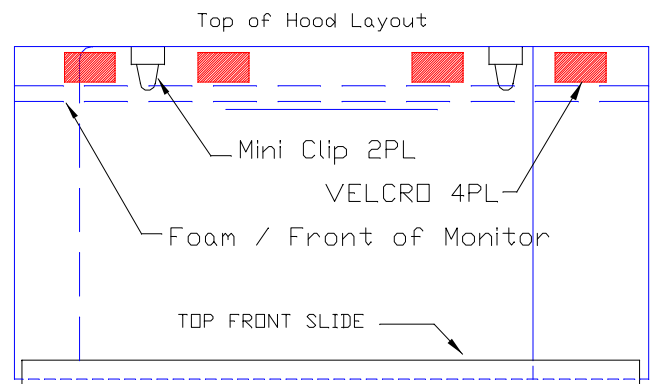
Tip: To open up the slide for easier installation, use a Bic pen or similar instrument. Wedge it into the slide near one end temporarily until the slide is started on the hood and then remove it.

Note: The slide has been cut to the length specified when ordered. If incorrect per-chance, the slide can be easily cut with a fine toothed saw such as a hacksaw.



Support bar / slide shown mounted on top front edge.

8. At this point, you have fully secured your hood at the proper width. The mini-clamp handles can be removed if desired. Simply squeeze the base of the handle to remove.



9. **Expose the adhesive of the 4 top of monitor hook Velcros** by removing the backing covers, also loosen one edge of the other backing covers for the sides.
10. **Placing the hood on the monitor:** Carefully align the hood, making sure it is straight and the proper left-right position. Once aligned, apply pressure to the top of the hood to secure in place. If necessary, you can make small adjustments by pulling the Velcro pieces apart and making the required adjustment.
11. **Attaching the sides of the hood to the monitor:** Adjust one of the sides, up/down, until you achieve the desirable look. Note this position and mark with pencil, if desired. Lift the side and remove all the backing covers from the Velcro sets on that side. Carefully check the desired position and then adhere the hood side to the Velcro fasteners by applying pressure. Repeat for the opposite side, making sure the whole unit is level. You can still make small adjustments by pulling the hook-and-loop pieces apart and making any desired adjustment.

Congratulations! Enjoy many years of reduced eyestrain and improved screen viewing.

Note: On certain flat panel screens the weight of the hood may cause the monitor to drift down. In this case, a block of foam placed between the monitor and the desk will keep this from happening.

Hood Care: The outside surface can be cleaned with glass cleaner or light solution of dish-soap. In addition, the "Black Leather" look hood can be polished with automotive vinyl, rubber or leather cleaner protection products.

Attention!

When handling the Monitor hood,
do not allow its sides to reverse bend
past the 90-degree install position.

Over for Installation Instructions

If you have any suggestions or questions about the hood, please contact us at sales@photodon.com or
Call us at 847-377-1185

Check our web page for other glare reduction and monitor cleaning products. www.photodon.com

Thank you for Your Purchase Choice.

Photodon.com

Glare Reduction, Privacy, LCD protective films and Screen
Care Products

Small hood: Item #102 adjusts 13.5 -19 inches
Medium hood: Item #112 adjusts 17.5 – 24.75 inches
Large hood: 19.75 – 36 inches

Thank you for allowing us improve your image

The Crew at Photodon